



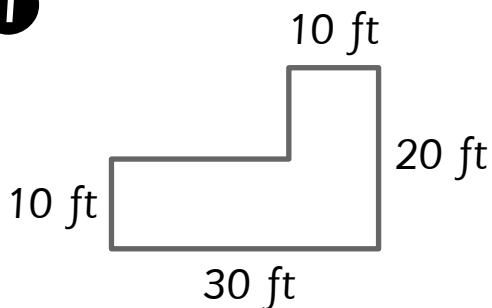
# Area of Expertise

## Activity Sheet

Name: \_\_\_\_\_ Class: \_\_\_\_\_

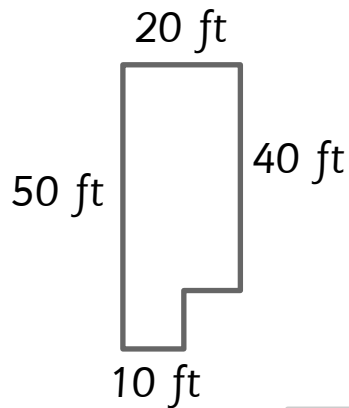
Sten needs to put mulch on the playgrounds.  
Help him find the area of each park.

**1**



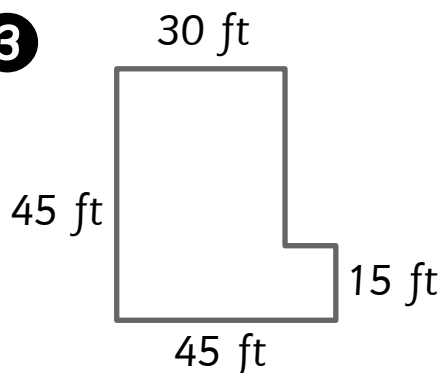
\_\_\_\_\_ ft<sup>2</sup>

**2**



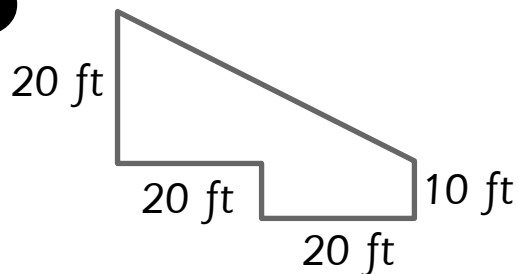
\_\_\_\_\_ ft<sup>2</sup>

**3**



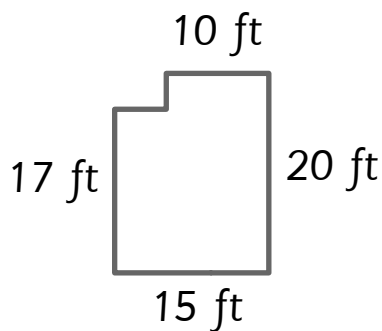
\_\_\_\_\_ ft<sup>2</sup>

**4**



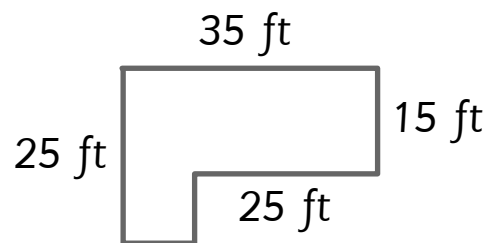
\_\_\_\_\_ ft<sup>2</sup>

**5**



\_\_\_\_\_ ft<sup>2</sup>

**6**



\_\_\_\_\_ ft<sup>2</sup>

To make a soccer field, a park must have an area of over 1,000 ft<sup>2</sup>.  
Which park above is larger than 1,000 ft<sup>2</sup>?

**7**

\_\_\_\_\_

\_\_\_\_\_

